



STALAR



PRODUCT CATALOG 2025



ABOUT US

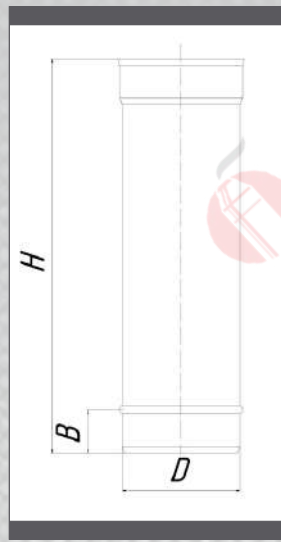
STALAR is a leading Ukrainian manufacturer specializing in chimneys and chimney systems. The company's products are crafted using high-quality corrosion-resistant steel (AISI 304, AISI 321), eco-friendly, heat-resistant expanded vermiculite insulation, and advanced innovative material processing technologies.

Equipped with state-of-the-art European machinery, STALAR ensures production meets high European standards by incorporating cutting-edge technologies, innovative solutions, and unique proprietary designs.

With a strong commitment to quality, STALAR has established itself as a trusted supplier of premium chimneys and chimney systems.



**SINGLE WALL
CHIMNEY ELEMENTS**

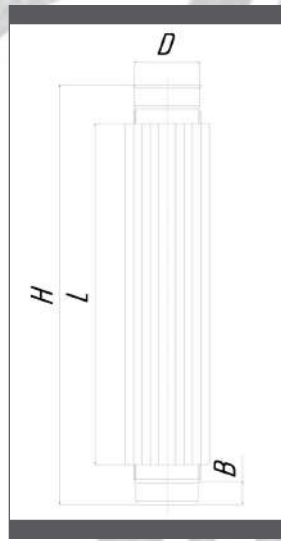


D(mm)	B(mm)	H(m)	H(m)	H(m)
100	50	1	0.5	0.3
110	50	1	0.5	0.3
120	50	1	0.5	0.3
130	50	1	0.5	0.3
140	50	1	0.5	0.3
150	50	1	0.5	0.3
160	50	1	0.5	0.3
180	100	1	0.5	0.3
200	100	1	0.5	0.3
230	100	1	0.5	0.3
250	100	1	0.5	0.3
300	100	1	0.5	0.3
350	100	1	0.5	0.3
400	100	1	0.5	0.3

s/w pipe

Single wall stainless steel pipe designed to remove flue gases and is the main element of the chimney system.

specifications:
Steel grade: 304, 321
Steel thickness (mm): 0.8, 1.0



D(mm)	B(mm)	H(m)	L(mm)	H(m)	L(mm)
100	50	1	860	0.5	360
110	50	1	860	0.5	360
120	50	1	860	0.5	360
130	50	1	860	0.5	360
140	50	1	860	0.5	360
150	50	1	860	0.5	360
160	50	1	860	0.5	360
180	100	1	740	0.5	240
200	100	1	740	0.5	240
220	100	1	740	0.5	240

radiator pipe

The radiator pipe is used to heat the room due to the thermal energy of the flue gases. It is installed instead of the usual chimney pipe indoors.

specifications:
Steel grade: 304, 321
Steel thickness (mm): 0.8, 1.0



D pipe (mm)	D tanker (mm)	L(l)
120	310	30
	380	50
	450	70

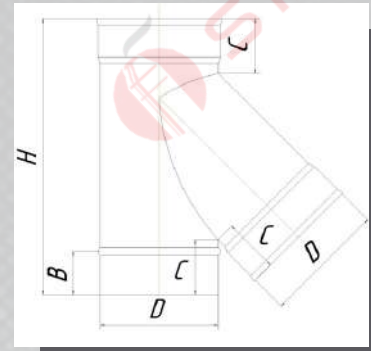
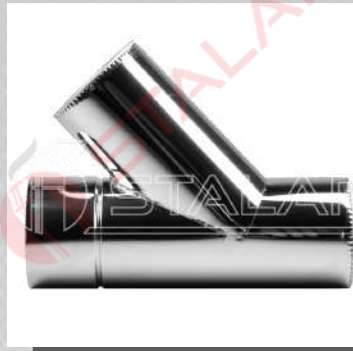
The water tank is used to heat water due to the thermal energy of the flue gases. Tanks are manufactured for 30, 50, 70 liters and are designed for installation on a pipe with a diameter of 120 mm.

water tank

s/w tee 45°

D(mm) H(mm) B(mm) C(mm)

100	281	50	70
110	296	50	70
120	310	50	70
130	324	50	70
140	338	50	70
150	352	50	70
160	366	50	70
180	495	100	120
200	523	100	120
220	551	100	120
230	565	100	120
250	594	100	120
300	664	100	120
350	735	100	120
400	806	100	120



specifications:

Steel grade:

304, 321

Steel thickness

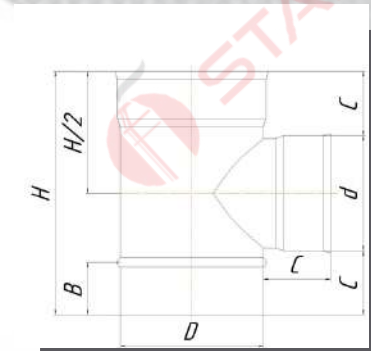
(mm): 0.8, 1.0

Designed to be connected to the flue system at an angle of 45°. And also can be used as a condensate drain (in case of additional equipment with a funnel).

s/w tee 90°

D(mm) H(mm) B(mm) C(mm)

100	240	50	70
110	250	50	70
120	260	50	70
130	270	50	70
140	280	50	70
150	290	50	70
160	300	50	70
180	420	100	120
200	440	100	120
220	460	100	120
230	470	100	120
250	490	100	120
300	540	100	120
350	590	100	120
400	640	100	120



specifications:

Steel grade:

304, 321

Steel thickness

(mm): 0.8, 1.0

Designed to be connected to the flue system at an angle of 90°. And also can be used as a condensate drain (in case of additional equipment with a funnel).

s/w tee 90° with revision

D(mm) d(mm) B(mm) L(mm)

100	80	100	245
110	90	100	255
120	100	100	265
130	110	100	275
140	120	100	285
150	130	100	295
160	140	100	305
180	160	100	325
200	180	100	345
220	200	100	365
230	210	100	375
250	230	100	395
300	280	100	445
350	330	100	495
400	380	100	545

specifications:

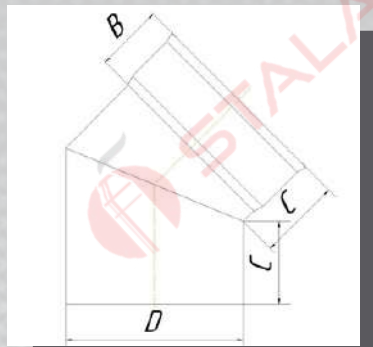
Steel grade: 304, 321

Steel thickness

(mm): 0.8, 1.0

Designed to be connected to the flue system at an angle of 90°. And also can be used as a condensate drain (in case of additional equipment with a funnel).





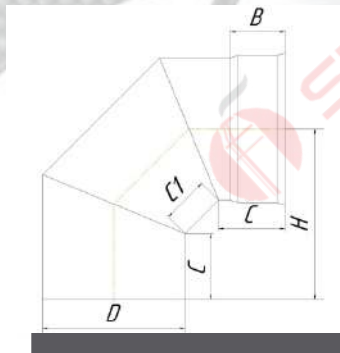
D(mm) B(mm) C(mm)

100	50	70
110	50	70
120	50	70
130	50	70
140	50	70
150	50	70
160	50	70
180	50	70
200	100	120
220	100	120
230	100	120
250	100	120
300	100	120
350	100	120
400	100	120

s/w knee 45°

specifications:
Steel grade: 304, 321
Steel thickness (mm): 0.8, 1.0

The 45° knee is designed to change the direction of the chimney system to a 45° angle.



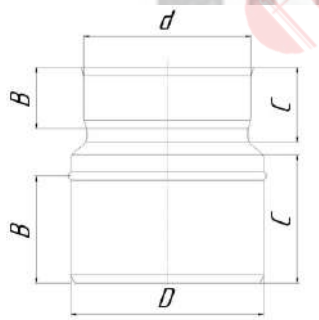
D(mm) H(mm) B(mm) C(mm) C1(mm)

100	155	50	70	50
110	160	50	70	50
120	165	50	70	50
130	170	50	70	50
140	175	50	70	50
150	180	50	70	50
160	185	50	70	50
180	245	50	70	50
200	255	100	120	50
220	265	100	120	50
230	270	100	120	50
250	280	100	120	50
300	305	100	120	50
350	330	100	120	50
400	355	100	120	50

s/w knee 90°

specifications:
Steel grade: 304, 321
Steel thickness (mm): 0.8, 1.0

The 90° knee is designed to change the direction of the chimney system to a 90° angle.



D(mm) B(mm) C(mm) d(mm) B(mm) C(mm)

100	50	70	100	50	70
110	50	70	110	50	70
120	50	70	120	50	70
130	50	70	130	50	70
140	50	70	140	50	70
150	50	70	150	50	70
160	50	70	160	50	70
180	50	70	180	50	70
200	100	120	200	100	120
220	100	120	220	100	120
230	100	120	230	100	120
250	100	120	250	100	120
300	100	120	300	100	120
350	100	120	350	100	120
400	100	120	400	100	120

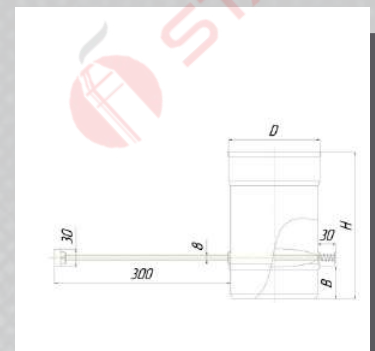
s/w transition

specifications:
Steel grade: 304, 321
Steel thickness (mm): 0.8, 1.0

The transition is used to connect components of chimneys of different diameters.

Dv(mm) Dn(mm) B(mm) C(mm)

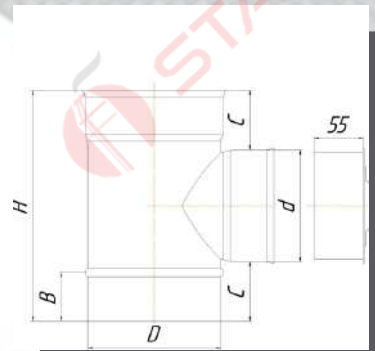
100	160	250	50
110	180	250	50
120	180	250	50
130	200	250	50
140	200	250	50
150	220	250	50
160	220	250	50
180	250	250	100
200	260	330	100
220	280	330	100
230	300	330	100
250	320	500	100
300	360	500	100
350	420	500	100
400	460	500	100

**specifications:****Steel grade:** 304, 321**Steel thickness (mm):** 0.8, 1.0

Stainless steel damper - the chimney gate acts as a manual draft regulator in the chimney. It shuts off the gas flow by 85%.

D(mm) d(mm) B(mm) L(mm)

100	80	100	245
110	90	100	255
120	100	100	265
130	110	100	275
140	120	100	285
150	130	100	295
160	140	100	305
180	160	100	325
200	180	100	345
220	200	100	365
230	210	100	375
250	230	100	395
300	280	100	445
350	330	100	495
400	380	100	545

**specifications:****Steel grade:** 304, 321**Steel thickness (mm):** 0.8, 1.0

The revision serves to provide access and cleaning of the chimney, as well as to drain condensate.

D(mm) H(mm) B(mm) C(mm)

100	240	50	70
110	250	50	70
120	260	50	70
130	270	50	70
140	280	50	70
150	290	50	70
160	300	50	70
180	420	50	70
200	440	100	120
220	460	100	120
230	470	100	120
250	490	100	120
300	540	100	120
350	590	100	120
400	640	100	120

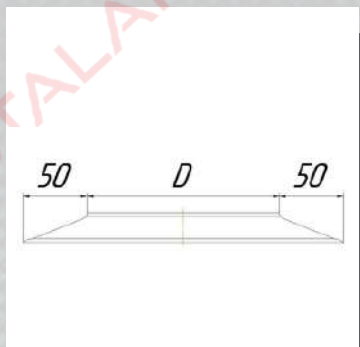
**specifications:****Steel grade:**

304, 321

Steel thickness (mm):

0.8, 1.0

The gate is a movable damper that changes the area of the passage of the chimney and regulates the process of combustion and removal of flue gases.



D(mm)

- 100
- 110
- 120
- 130
- 140
- 150
- 160
- 180
- 200
- 220
- 230
- 250
- 300
- 350
- 400

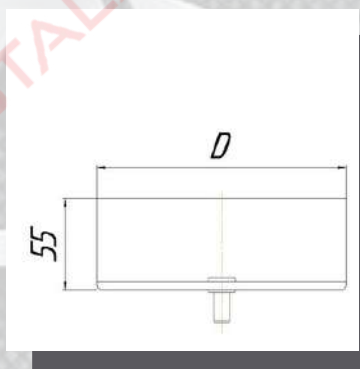
rain/storm collar

specifications:

Steel grade: 304, 321

Steel thickness (mm): 0.8, 1.0

It closes the opening around the chimney in case of passage through the wall or overlapping. It is often used as a decorative part.



D(mm)

- 100
- 110
- 120
- 130
- 140
- 150
- 160
- 180
- 200
- 220
- 230
- 250
- 300
- 350
- 400

funnel

specifications:

Steel grade: 304, 321

Steel thickness (mm): 0.8, 1.0

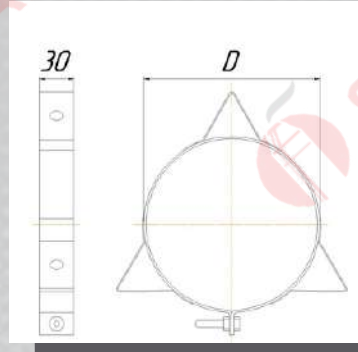
The funnel is installed at the bottom of the revision and tee to collect soot and remove condensate. Outlet nozzle is 16 mm.



stretch clamp

Dv(mm) Dn(mm)

100	160
110	180
120	180
130	200
140	200
150	220
160	220
180	250
200	260
220	280
230	300
250	320
300	360
350	420
400	460



specifications:

Steel grade: 304

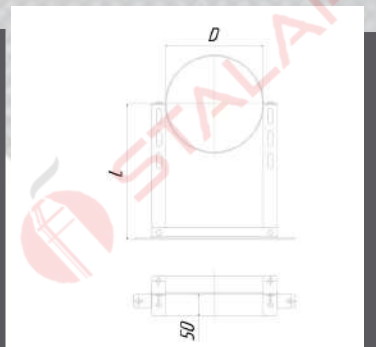
Steel thickness (mm): 1.0

Stretch clamp is used to fix the chimney with a cable extension.

wall support clamp

D(mm) L(mm) L(mm) L(mm) L(mm)

140	200	300	400	500
160	200	300	400	500
180	200	300	400	500
180	200	300	400	500
200	200	300	400	500
200	200	300	400	500
220	200	300	400	500
220	200	300	400	500
250	200	300	400	500
260	200	300	400	500
280	200	300	400	500
300	200	300	400	500
320	200	300	400	500
360	200	300	400	500
420	200	300	400	500
460	200	300	400	500



specifications:

Steel grade: 304

Steel thickness (mm): 1.0

Wall support clamp - fastener. It is used to attach the chimney and also allows to adjust the distance to the wall.

reinforced, ordinary clamp

D(mm)

80
100
110
120
130
140
150
160

D(mm)

160
180
200
230
250
300
360
400

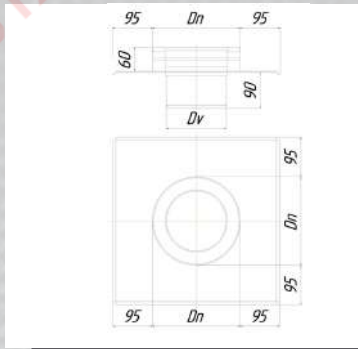
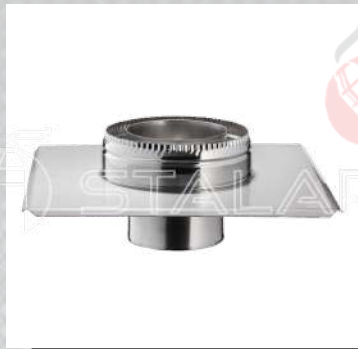


specifications:

Steel grade: 304, 321

Steel thickness (mm): 0.8, 1.0

The clamp is a fastener. It used to attach the chimney pipe to the wall. Ordinary clamp has a diameter from 80 to 160 mm. Reinforced clamp from 160 to 400 mm.



D(MM)

- 100
- 110
- 120
- 130
- 140
- 150
- 160
- 180
- 200
- 220
- 230
- 250
- 300
- 350
- 400

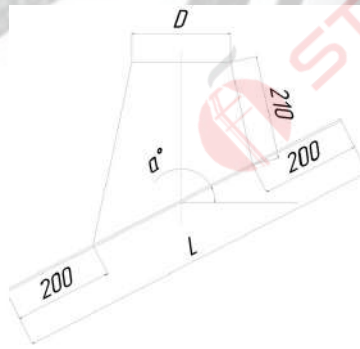
specifications:

Steel grade: 304

Steel thickness (mm): 0.8, 1.0

The chimney end is installed at the end of the chimney brick shaft and protects it from rainfall. The plate is made of steel 1 mm thick.

end of chimney



D(MM) A(0-15°) A(15-30°) A(30-45°)

105	606	642	693
115	617	655	708
125	627	667	723
135	638	680	738
145	649	692	754
155	659	705	769
165	670	718	784
185	692	743	814
205	713	768	845
225	734	793	875
235	745	806	890
255	767	831	921
265	777	843	936
285	799	869	967
305	820	894	997
325	841	919	1027
355	874	957	1073
365	884	969	1088
405	927	1020	1149
425	949	1045	1180
465	991	1095	1240

specifications:

Steel grade: 304, 321

Steel thickness (mm): 0.8, 1.0

The crisis ensures tightness of the passage through the floors (roof). It is manufactured in accordance with the angle of inclination or can be universal.

crisis

specifications:

Steel grade: 304, 321

Steel thickness (mm): 0.8, 1.0

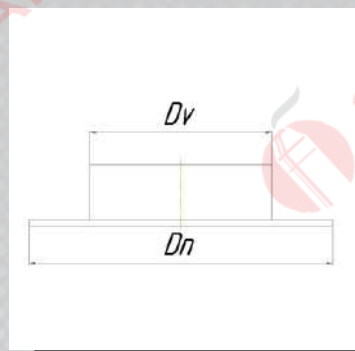
The passage through the overlapping for the chimney is used to organize the thermally protected passage of the high temperature parts of the chimney through any type of overlapping.



passage through the overlapping

Dv(mm) Dn(mm)

100	210
110	220
120	230
130	240
140	250
150	260
160	270
180	290
200	310
220	330
230	340
250	360
260	370
280	390
300	410

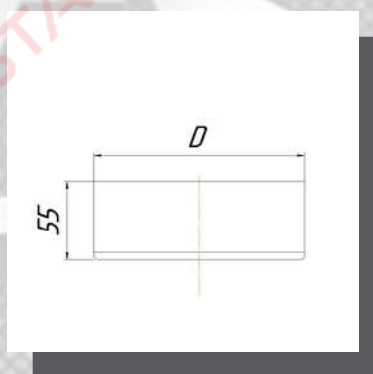


specifications:
Steel grade: 304
Steel thickness (mm): 0.8

The rosette is used as a decorative element in the passage ways of the chimney through the wall or ceiling.

D(mm)

100
110
120
130
150
180

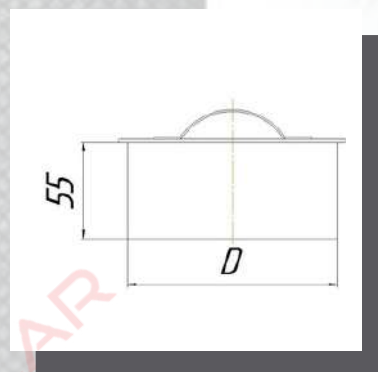


specifications:
Steel grade: 304
Steel thickness (mm): 0.8

Chimney deck is a cover that covers the opening of a double-walled tee.

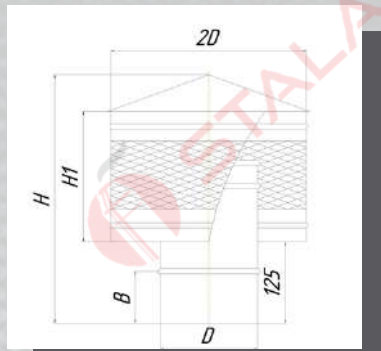
D(mm)

80
100
110
120
130
150
180



specifications:
Steel grade: 304
Steel thickness (mm): 0.8

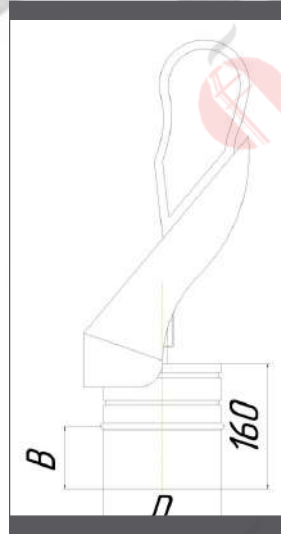
The plug is installed in the revision to allow timely inspection and maintenance of the chimney system.



specifications:
Steel grade: 304
Steel thickness (mm): 0.8

D(mm)	H(m)	H1(m)	B(mm)
100	380	200	80
110	380	200	80
120	380	200	80
130	380	200	80
140	380	200	80
150	380	200	80
160	380	200	80
180	380	200	80
200	380	200	80
220	380	200	80
230	380	200	80
250	380	200	80
300	380	200	80
350	380	200	80
400	380	200	80

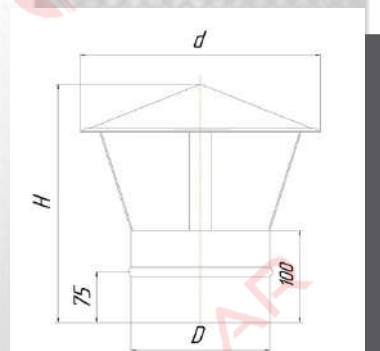
It is used for catching and in the following extinguishing of sparks flying from the chimney. It increases fire safety of operation of heating equipment. It is mounted on top of chimney.



specifications:
Steel grade: 304
Steel thickness (mm): 0.8

The weather vane is the end of the chimney and protects the system from blowing out airflows, which, in turn, prevents the appearance of back draft.

D(mm)	B(mm)
100	80
110	80
120	80
130	80
140	80
150	80
160	80
180	80
200	80
220	80
230	80
250	80
300	80
350	80
400	80



specifications:
Steel grade: 304
Steel thickness (mm): 0.8

D(mm)	d(mm)	H(m)
100	210	254
110	220	255
120	230	256
130	240	257
140	250	258
150	260	259
160	270	260
180	290	262
200	310	264
220	330	265
230	340	266
250	360	268
300	410	272
350	460	276
400	510	279

The cap is the end of the chimney and is used to protect the the smoke channel from rainfall.

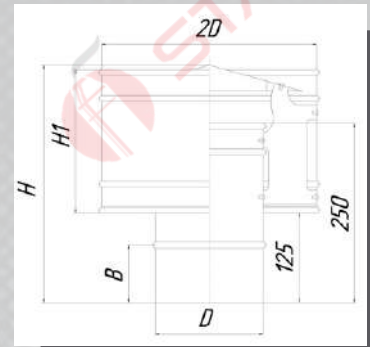
spark arrester

s/w vane

s/w cap

D(mm) H(m) H1(m) B(mm)

100	335	200	80
110	335	200	80
120	335	200	80
130	335	200	80
140	335	200	80
150	335	200	80
160	335	200	80
180	335	200	80
200	335	200	80
220	335	200	80
230	385	250	80
250	385	250	80
300	385	250	80
350	385	250	80
400	385	250	80



specifications:
Steel grade: 304
Steel thickness (mm): 0.8

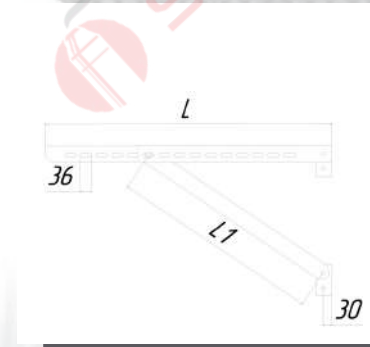
Volper is a device that stimulates the emergence of stable thrust in the chimney due to Bernoulli's law and is set as the end of the chimney.

L min (mm) L max (mm) L1 (mm)

370	570	435
-----	-----	-----

L min (mm) L max (mm) L1 (mm)

620	1020	670
-----	------	-----



The bracket is an attachment. Most often it is used to secure the unloading platform.



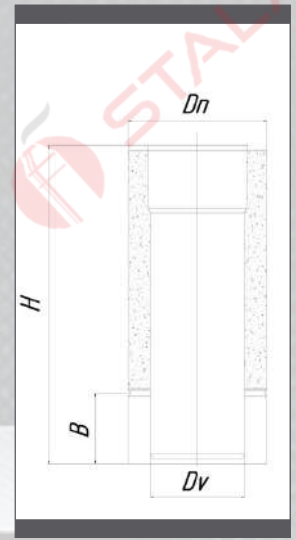


**DOUBLE WALL
CHIMNEY ELEMENTS**

d/w pipe

Dv(mm) Dn(mm) B(mm) H(m) H(m) H(m)

100	160	100	1	0.5	0.25
110	180	100	1	0.5	0.25
120	180	100	1	0.5	0.25
130	200	100	1	0.5	0.25
140	200	100	1	0.5	0.25
150	220	100	1	0.5	0.25
160	220	100	1	0.5	0.25
180	250	100	1	0.5	0.25
200	260	100	1	0.5	0.25
220	280	100	1	0.5	0.25
230	300	100	1	0.5	0.25
250	320	100	1	0.5	0.25
300	360	100	1	0.5	0.25
350	420	100	1	0.5	0.25
400	460	100	1	0.5	0.25



specifications:

Steel grade: 304, 321

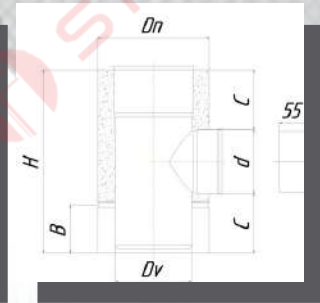
Steel thickness (mm): 0.8, 1.0

Stainless steel double wall pipe is designed for flue gas removal and is a major element of chimney system.

d/w revision

Dv(mm) Dn(mm) d(mm) H(mm) B(mm) C(mm)

100	160	100	340	100	120
110	180	100	340	100	120
120	180	100	340	100	120
130	200	110	350	100	120
140	200	110	350	100	120
150	220	120	360	100	120
160	220	120	360	100	120
180	250	120	360	100	120
200	260	120	360	100	120
220	280	130	370	100	120
230	300	150	390	100	120
250	320	150	390	100	120
300	360	180	420	100	120
350	420	180	420	100	120
400	460	180	420	100	120



specifications:

Steel grade: 304, 321

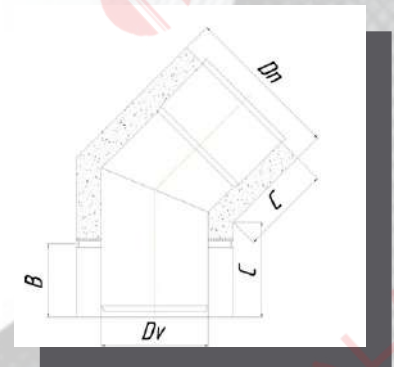
Steel thickness (mm): 0.8, 1.0

The revision serves to provide access and cleaning of the chimney, as well as to drain condensate.

d/w knee 45°

Dv(mm) Dn(mm) B(mm) C(mm)

100	160	100	120
110	180	100	120
120	180	100	120
130	200	100	120
140	200	100	120
150	220	100	120
160	220	100	120
180	250	100	120
200	260	100	120
220	280	100	120
230	300	100	120
250	320	100	120
300	360	100	120
350	420	100	120
400	460	100	120

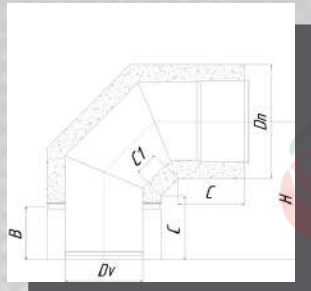


specifications:

Steel grade: 304, 321

Steel thickness (mm): 0.8, 1.0

Knee 45° is designed to change the direction of the chimneys system to an angle of 45°.



specifications:

Steel grade: 304, 321

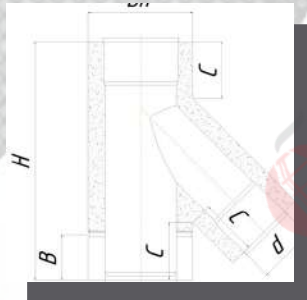
Steel thickness (mm): 0.8, 1.0

Designed to change the direction of the chimneys system to an angle of 90°.

Dv(mm) Dn(mm) H(mm) B(mm) C(mm) C1(mm)

100	160	235	100	120	50
110	180	245	100	120	50
120	180	245	100	120	50
130	200	255	100	120	50
140	200	255	100	120	50
150	220	265	100	120	50
160	220	265	100	120	50
180	250	280	100	120	50
200	260	285	100	120	50
220	280	295	100	120	50
230	300	305	100	120	50
250	320	315	100	120	50
300	360	335	100	120	50
350	420	365	100	120	50
400	460	385	100	120	50

d/w knee 90°



specifications:

Steel grade: 304, 321

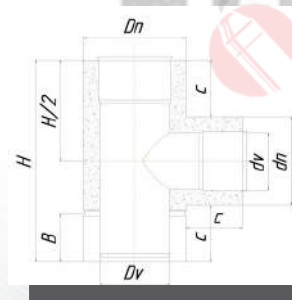
Steel thickness (mm): 0.8, 1.0

Designed to be connected to the flue system at an angle of 45°. And also can be used as a condensate drain (in case of additional equipment with a funnel).

Dv(mm) Dn(mm) H(mm) B(mm) C(mm)

100	160	466	100	120
110	180	495	100	120
120	180	495	100	120
130	200	523	100	120
140	200	523	100	120
150	220	551	100	120
160	220	551	100	120
180	250	594	100	120
200	260	608	100	120
220	280	636	100	120
230	300	664	100	120
250	320	693	100	120
300	360	749	100	120
350	420	834	100	120
400	460	891	100	120

d/w tee 45°



specifications:

Steel grade: 304, 321

Steel thickness (mm): 0.8, 1.0

Designed to be connected to the flue system at an angle of 90°. And also can be used as a condensate drain (in case of additional equipment with a funnel).

Dv(mm) Dn(mm) H(mm) B(mm) C(mm)

100	160	400	100	120
110	180	420	100	120
120	180	420	100	120
130	200	440	100	120
140	200	440	100	120
150	220	460	100	120
160	220	460	100	120
180	250	490	100	120
200	260	500	100	120
220	280	520	100	120
230	300	540	100	120
250	320	560	100	120
300	360	600	100	120
350	420	660	100	120
400	460	700	100	120

d/w tee 90°

D(MM) d(MM) B(MM) L(MM)

100	80	100	245
110	90	100	255
120	100	100	265
130	110	100	275
140	120	100	285
150	130	100	295
160	140	100	305
180	160	100	325
200	180	100	345
220	200	100	365
230	210	100	375
250	230	100	395
300	280	100	445
350	330	100	495
400	380	100	545



specifications:
Steel grade: 304
Steel thickness (mm): 0.8

The tee 90°, with revision, is designed to be connected to the chimneys system at a 90-degree angle and also used to collect and remove condensate (if equipped with a funnel), and to service and clean the chimney through the inspection opening.

D(MM)

120
130
140
150
160
180
200
220
250

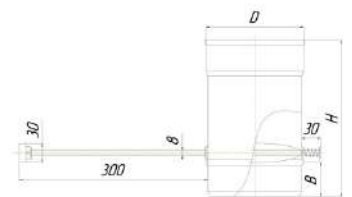


specifications:
Steel grade: 304
Steel thickness (mm): 0.8

The draft stabilizer is a device that automatically supplies secondary air to the chimney, thereby regulating the vacuum in the chimney and optimizing the draft for optimal functioning of the heater by changing air-smoke mixture.

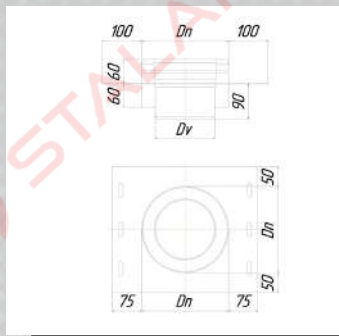
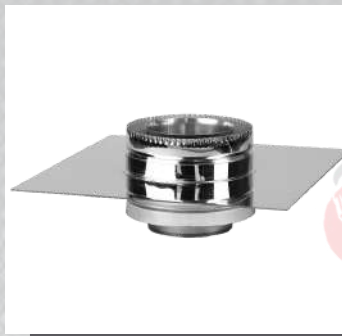
Dv(MM) Dn(MM) B(MM) C(MM)

100	160	250	50
110	180	250	50
120	180	250	50
130	200	250	50
140	200	250	50
150	220	250	50
160	220	250	50
180	250	250	100
200	260	330	100
220	280	330	100
230	300	330	100
250	320	500	100
300	360	500	100
350	420	500	100
400	460	500	100



specifications:
Steel grade: 304, 321
Steel thickness (mm): 0.8, 1.0

Stainless steel damper - the chimney gate acts as a manual draft regulator in the chimney. It shuts off the gas flow by 85%.



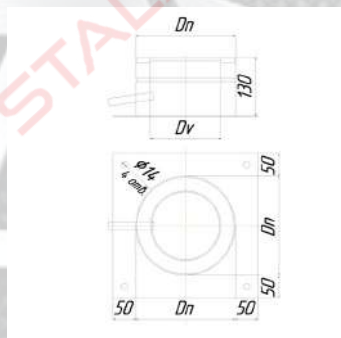
specifications:
Steel grade: 304
Steel thickness (mm): 0.8

The unloading platform is used as a support of sections of the vertical part of the chimney pipe for the redistribution of the mass of the chimney as a whole on the supporting structures.

Dv(mm) Dn(mm)

100	160
110	180
120	180
130	200
140	200
150	220
160	220
180	250
200	260
220	280
230	300
250	320
300	360
350	420
400	460

unloading platform



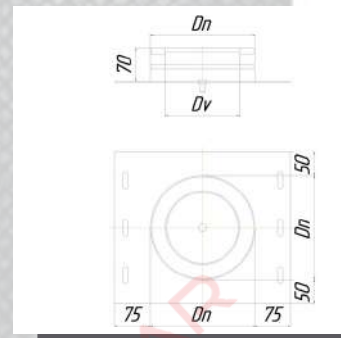
specifications:
Steel grade: 304
Steel thickness (mm): 0.8

The floor stand is used as a support for the vertical part of the chimney at its base. It is mounted on foundations and floors. The outlet diameter of the condensate discharge pipe is 16 mm.

Dv(mm) Dn(mm)

100	160
110	180
120	180
130	200
140	200
150	220
160	220
180	250
200	260
220	280
230	300
250	320
300	360
350	420
400	460

floor stand



specifications:
Steel grade: 304
Steel thickness (mm): 0.8

The wall stand is used as a support for the vertical part of chimney at its base. It is mounted on brackets. Outlet diameter of condensate discharge pipe is 16 mm.

Dv(mm) Dn(mm)

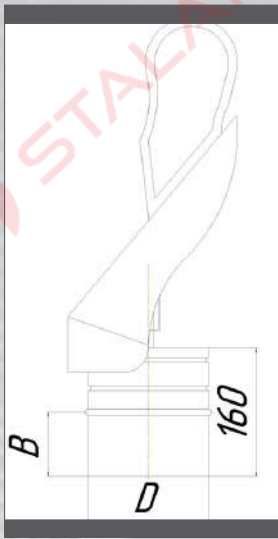
100	160
110	180
120	180
130	200
140	200
150	220
160	220
180	250
200	260
220	280
230	300
250	320
300	360
350	420
400	460

wall stand

d/w vane

D(MM) B(MM)

100	80
110	80
120	80
130	80
140	80
150	80
160	80
180	80
200	80
220	80
230	80
250	80
300	80
350	80
400	80



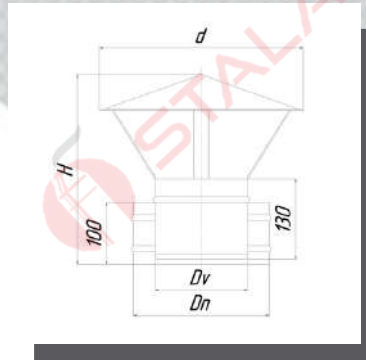
specifications:
Steel grade: 304
Steel thickness (mm): 0.8, 1.0

The vane is the end of the chimney and protects the system from blowing out airflows, which, in turn, prevents the appearance of back draft.

d/w cap

Dv(MM) Dn(MM) d(MM) H(MM)

100	160	270	303
110	180	290	305
120	180	290	305
130	200	310	307
140	200	310	307
150	220	330	308
160	220	330	308
180	250	360	311
200	260	370	312
220	280	390	313
230	300	410	315
250	320	430	316
300	360	470	319
350	420	530	323
400	460	570	326



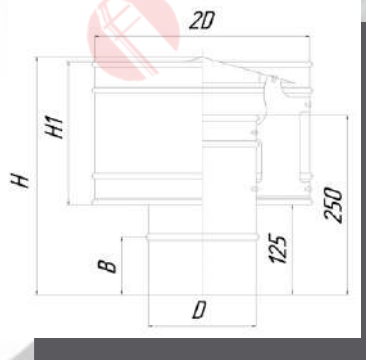
specifications:
Steel grade: 304
Steel thickness (mm): 0.8

The cap is the end of the chimney and is used to protect the chimney from precipitation.

d/w volper

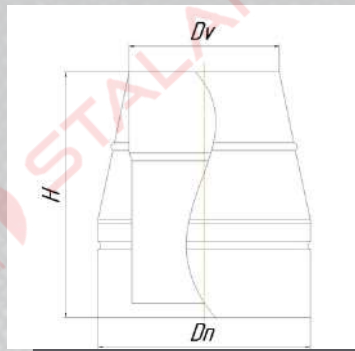
Dv(MM) Dn(MM) B(MM) C(MM)

100	160	250	50
110	180	250	50
120	180	250	50
130	200	250	50
140	200	250	50
150	220	250	50
160	220	250	50
180	250	250	100
200	260	330	100
220	280	330	100
230	300	330	100
250	320	500	100
300	360	500	100
350	420	500	100
400	460	500	100



specifications:
Steel grade: 304
Steel thickness (mm): 0.8

Volper is a device that is installed on the chimney duct in order to prevent crosswind blowing and clogging, as well as to improve the draft in the system.



Dv(mm) Dn(mm)

100	160
110	180
120	180
130	200
140	200
150	220
160	220
180	250
200	260
220	280
230	300
250	320
300	360
350	420
400	460

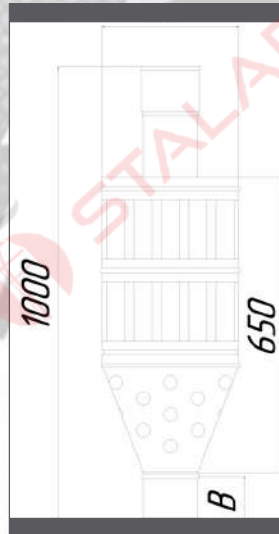
d/w cone

The chimney cone is the key element that completes the chimney duct.

specifications:

Steel grade: 304, 321

Steel thickness (mm): 0.8, 1.0



D(mm) Dn(mm) B(mm)

110	300	50
120	300	50
130	300	50
140	300	50

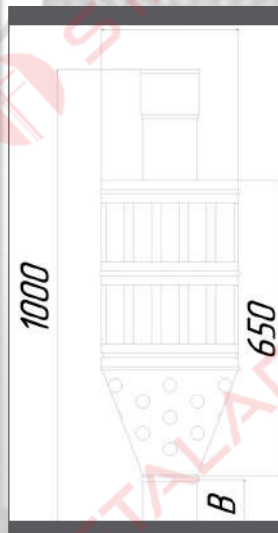
specifications:

Steel grade: 304

Steel thickness (mm): 0.8

basket under stones
(edge)

The basket is designed for loading stones which, when heated, accumulate heat for a long time warming up the room. It is used in saunas. The height of basket is 650 mm. Standart connection to pipes with a diameter of 120 mm.



D(mm) Dn(mm) B(mm)

110	300	50
120	300	50
130	300	50
140	300	50

specifications:

Steel grade: 304

Steel thickness (mm): 0.8

basket under stones
(grid)

The basket is designed for loading stones which, when heated, accumulate heat for a long time warming up the room. It is used in saunas. The height of basket is 650 mm. Standart connection to pipes with a diameter of 120 mm.

STALAR **chimney** **systems**

LLC "TEPLO-LUX"

UKRAINE

KYIV REGION

IVANKOVICHY

MOLODIZHNA 70

INFO@CHIMNEY-STALAR.COM

SCAN ME

